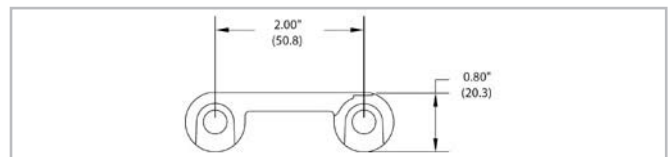
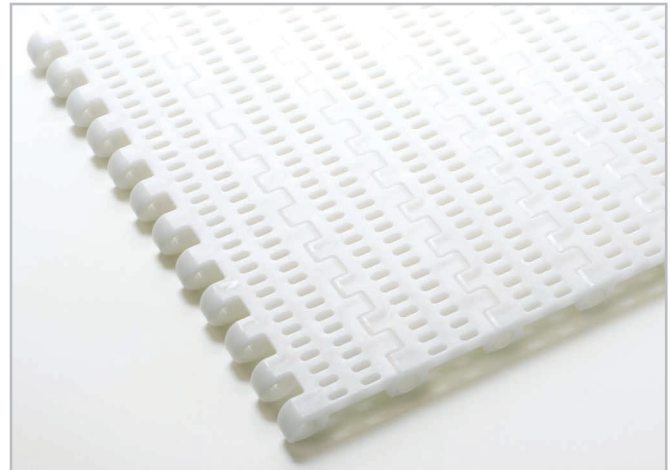


## Description

- 2 inch pitch
- 14% open area
- Food approved materials
- Bi-directional
- Connecting rod diameter = 0.312 inch (7.9 mm)
- Standard belt width increments = 1 inch (25.4 mm) nominal, starting from 4 inch (101.6 mm)
- Material selection may affect belt width — please contact your local partner for actual dimensions

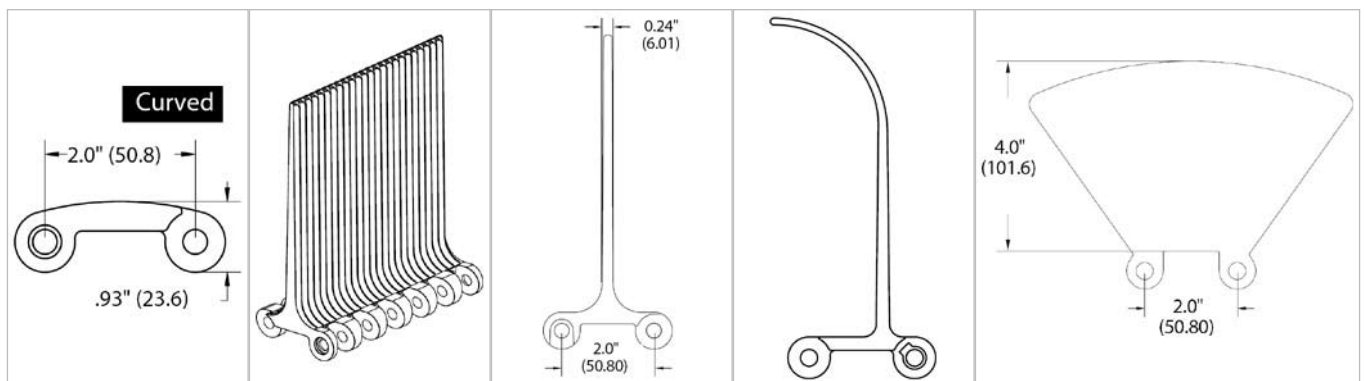


## Belt data

Belt material		PP	PE	POM	Nylon (PA +IM)
Rod material		PP	PE		
Nominal tensile strength $F'_N$ straight run	N/m lb/ft	26268 1800	20430 1400	30646 2100	30646 2100
Temperature range	°C	5 - 105	-70 - 65	-40 - 65	-40 - 80
	°F	40 - 220	-94 - 150	-40 - 150	-40 - 176
Belt weight $m_B$	kg/m <sup>2</sup>	7.8	8.0	11.5	10.0
	lb/sqft	1.59	1.64	2.35	2.05
Standard belt color		gray/white	white	white	cream

Additional belt colors and materials available, abrasive resistant Nylon (Polyamide) rods available.

## Belt accessories



### Inserts

Note: Inserts may affect belt pull

### Easy release flight

Note: Available in 6" height only — all other dimensions are the same as Rough duty flight

### Rough duty flight

Rough duty flights are available in standard 2", 4" & 6" heights

### Curved flight

Curved flights are available in standard 4" & 6" heights

### Side guards

Side guards are available in standard 2", 3" & 4" heights

# HabasiLINK®

## HDU620 VT (Vented Top)



### **Disclaimer**

#### **Product Application Disclaimer (valid for ALL Habasi products and mentioned on all PDS)**

This disclaimer is made by and on behalf of Habasi and its affiliated companies, directors, employees, agents and contractors (hereinafter collectively "HABASIT") with respect to the products referred to herein (the "Products"). SAFETY WARNINGS SHOULD BE READ CAREFULLY AND ANY RECOMMENDED SAFETY PRECAUTIONS BE FOLLOWED STRICTLY! Please refer to the Safety Warnings herein, in the Habasi catalogue as well as installation and operating manuals. All indications / information as to the application, use and performance of the Products are recommendations provided with due diligence and care, but no representations or warranties of any kind are made as to their completeness, accuracy or suitability for a particular purpose. The data provided herein are based on laboratory application with small-scale test equipment, running at standard conditions, and do not necessarily match product performance in industrial use. New knowledge and experience may lead to re-assessments and modifications within a short period of time and without prior notice.

EXCEPT AS EXPLICITLY WARRANTED BY HABASIT, WHICH WARRANTIES ARE EXCLUSIVE AND IN LIEU OF ALL OTHER WARRANTIES, EXPRESS OR IMPLIED, THE PRODUCTS ARE PROVIDED "AS IS". HABASIT DISCLAIMS ALL OTHER WARRANTIES, EITHER EXPRESS OR IMPLIED, INCLUDING, BUT NOT LIMITED TO, IMPLIED WARRANTIES OF MERCHANTABILITY, FITNESS FOR A PARTICULAR PURPOSE, NON-INFRINGEMENT, OR ARISING FROM A COURSE OF DEALING, USAGE, OR TRADE PRACTICE, ALL OF WHICH ARE HEREBY EXCLUDED TO THE EXTENT ALLOWED BY APPLICABLE LAW. BECAUSE CONDITIONS OF USE IN INDUSTRIAL APPLICATION ARE OUTSIDE OF HABASIT'S CONTROL, HABASIT DOES NOT ASSUME ANY LIABILITY CONCERNING THE SUITABILITY AND PROCESS ABILITY OF THE PRODUCTS, INCLUDING INDICATIONS ON PROCESS RESULTS AND OUTPUT.