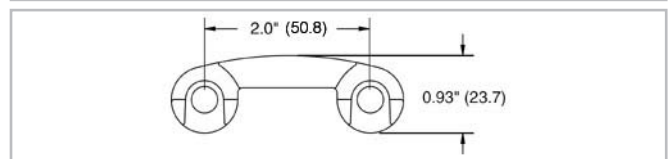


Description

- 2 inch pitch
- Reduced product contact and constant scraper contact capability
- Food approved materials
- Bi-directional
- Connecting rod diameter = 0.312 inch (7.9 mm)
- Standard belt width increments = 1 inch (25.4 mm) nominal, starting from 4 inches (101.6 mm)
- Material selection may affect belt width — please contact your local partner for actual dimensions

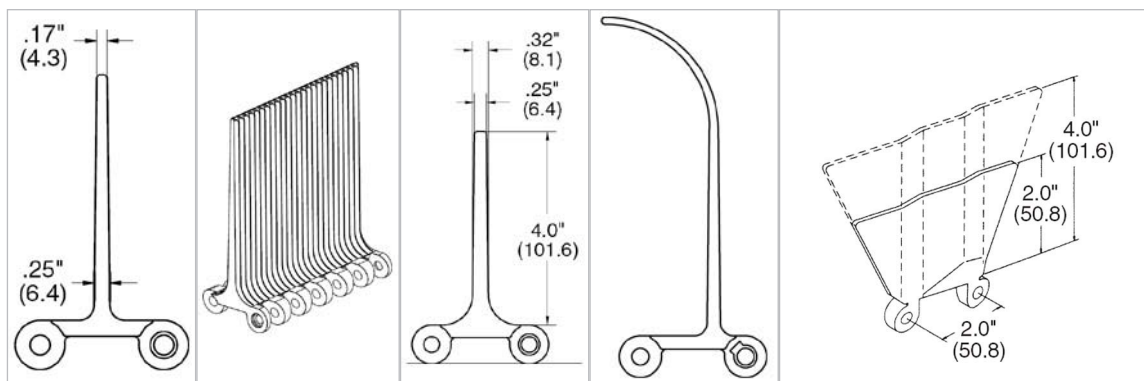


Belt data

Belt material		PP	PP +DE	PE	POM	Nylon (PA +IM)
Rod material		PP		PE	PE	
Nominal tensile strength F' _N straight run	N/m	26268	21010	20430	30646	30646
	lb/ft	1800	1440	1400	2100	2100
Temperature range	°C	5 - 105	5 - 105	-70 - 65	-40 - 93	-40 - 80
	°F	40 - 220	40 - 220	-94 - 150	-40 - 200	-40 - 176
Belt weight m _B	kg/m ²	7.8	6.2	8.0	11.5	10.0
	lb/sqft	1.59	1.27	1.64	2.35	2.05
Standard belt color		gray/white	dark gray	blue/white	blue/white	cream

Additional belt colors and materials available, abrasive resistant Nylon (Polyamide) rods available.

Belt accessories



Standard flight

Standard flights are available in 1", 2", 4" and 6" heights

Easy release flight

Note: Available in 6" height only - all other dimensions are the same as Rough duty flight

Rough duty flight

Curved flight

Curved flights are available in standard 4" & 6" heights

Side guards

Side guards are available in standard 2" & 4" heights. Do not use with 8 & 10 tooth sprockets. Sprockets must be big enough to keep plates from hitting each other. Note: Side guards must be indented a minimum of 1-1/4" from outside edge of belt

HabasiLINK®

HDSCT620 (Curved Top)



Disclaimer

Product Application Disclaimer (valid for ALL Habasi products and mentioned on all PDS)

This disclaimer is made by and on behalf of Habasi and its affiliated companies, directors, employees, agents and contractors (hereinafter collectively "HABASIT") with respect to the products referred to herein (the "Products"). SAFETY WARNINGS SHOULD BE READ CAREFULLY AND ANY RECOMMENDED SAFETY PRECAUTIONS BE FOLLOWED STRICTLY! Please refer to the Safety Warnings herein, in the Habasi catalogue as well as installation and operating manuals. All indications / information as to the application, use and performance of the Products are recommendations provided with due diligence and care, but no representations or warranties of any kind are made as to their completeness, accuracy or suitability for a particular purpose. The data provided herein are based on laboratory application with small-scale test equipment, running at standard conditions, and do not necessarily match product performance in industrial use. New knowledge and experience may lead to re-assessments and modifications within a short period of time and without prior notice.

EXCEPT AS EXPLICITLY WARRANTED BY HABASIT, WHICH WARRANTIES ARE EXCLUSIVE AND IN LIEU OF ALL OTHER WARRANTIES, EXPRESS OR IMPLIED, THE PRODUCTS ARE PROVIDED "AS IS". HABASIT DISCLAIMS ALL OTHER WARRANTIES, EITHER EXPRESS OR IMPLIED, INCLUDING, BUT NOT LIMITED TO, IMPLIED WARRANTIES OF MERCHANTABILITY, FITNESS FOR A PARTICULAR PURPOSE, NON-INFRINGEMENT, OR ARISING FROM A COURSE OF DEALING, USAGE, OR TRADE PRACTICE, ALL OF WHICH ARE HEREBY EXCLUDED TO THE EXTENT ALLOWED BY APPLICABLE LAW. BECAUSE CONDITIONS OF USE IN INDUSTRIAL APPLICATION ARE OUTSIDE OF HABASIT'S CONTROL, HABASIT DOES NOT ASSUME ANY LIABILITY CONCERNING THE SUITABILITY AND PROCESS ABILITY OF THE PRODUCTS, INCLUDING INDICATIONS ON PROCESS RESULTS AND OUTPUT.